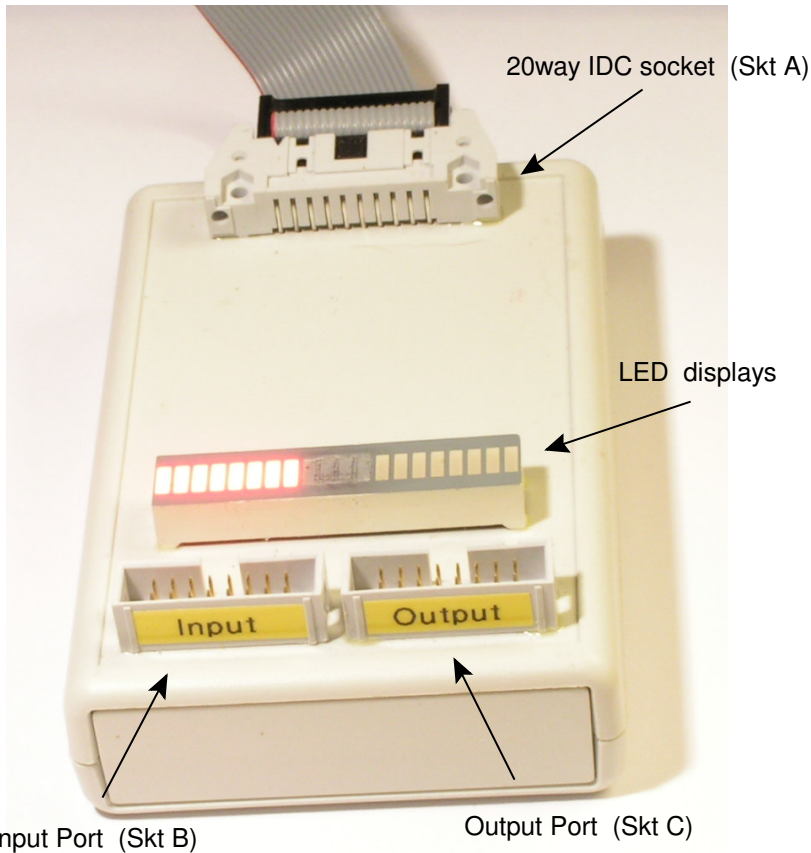


INTERAK COMPUTER SYSTEM

I/O Port Module

AP 2007



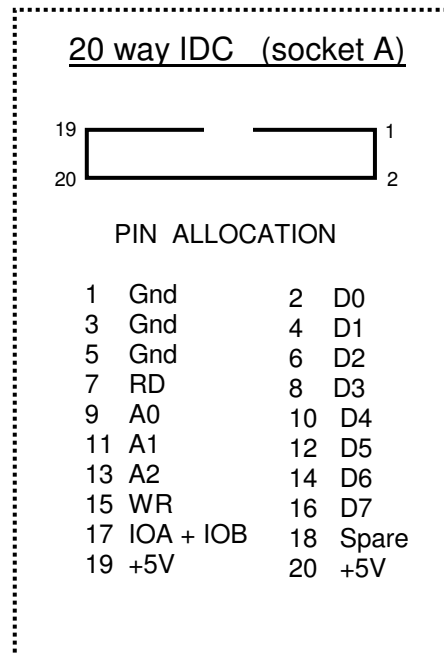
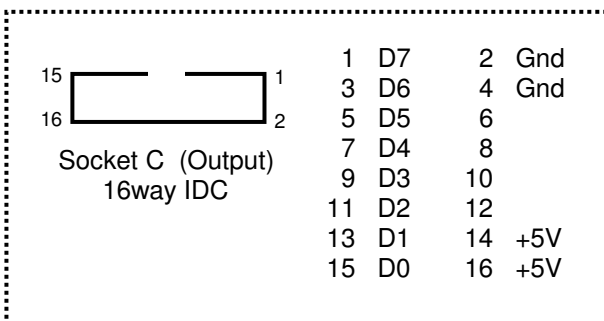
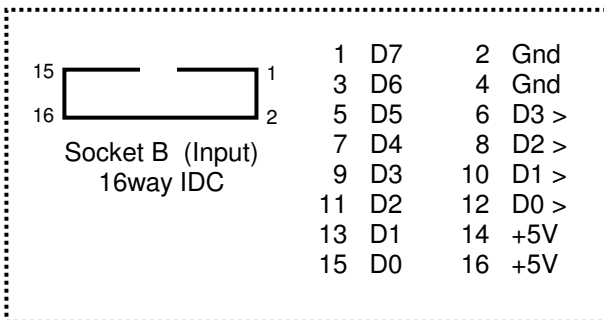
This Module is designed to be used with the Interak I/O card and is connected via 20way IDC sockets.

The Module provides two Ports -
 Input Port (Skt B) Address...17Hex (23)
 Output Port (Skt C) Address..16Hex (22)

Socket B (Input) can also be used as a dual I/O port - 4 bits from Skt C are also available for Output.

Pins 6 8 10 12
 are D3 D2 D1 D0 (of Port 16H)

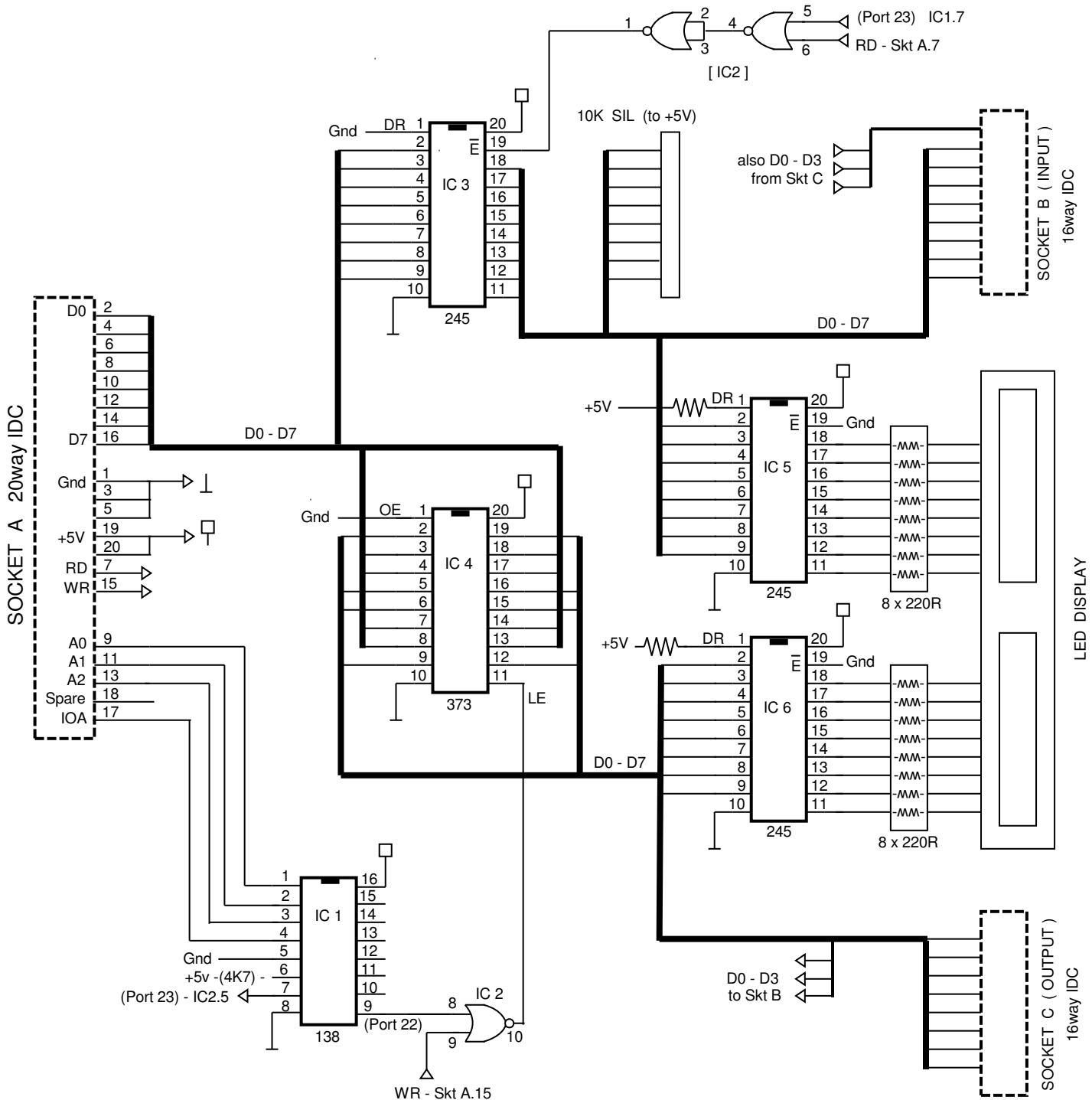
The LED display will show the current state of each bit. The Input Port bits are tied high - to be pulled low by the operating conditions of the circuit in use.



INTERAK COMPUTER SYSTEM

I/O Port Module

AP 2006



IC1	74LS138	1 of 8 Decoder
IC2	74LS02	Quad NOR gate
IC3, IC5, IC6	74HCT245	Transceiver
IC4	74LS373	Octal Latch