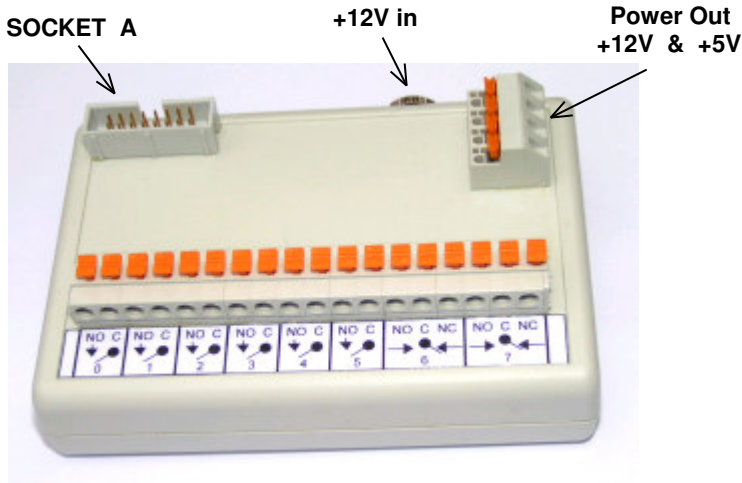


INTERAK COMPUTER SYSTEM

8x Relay Module

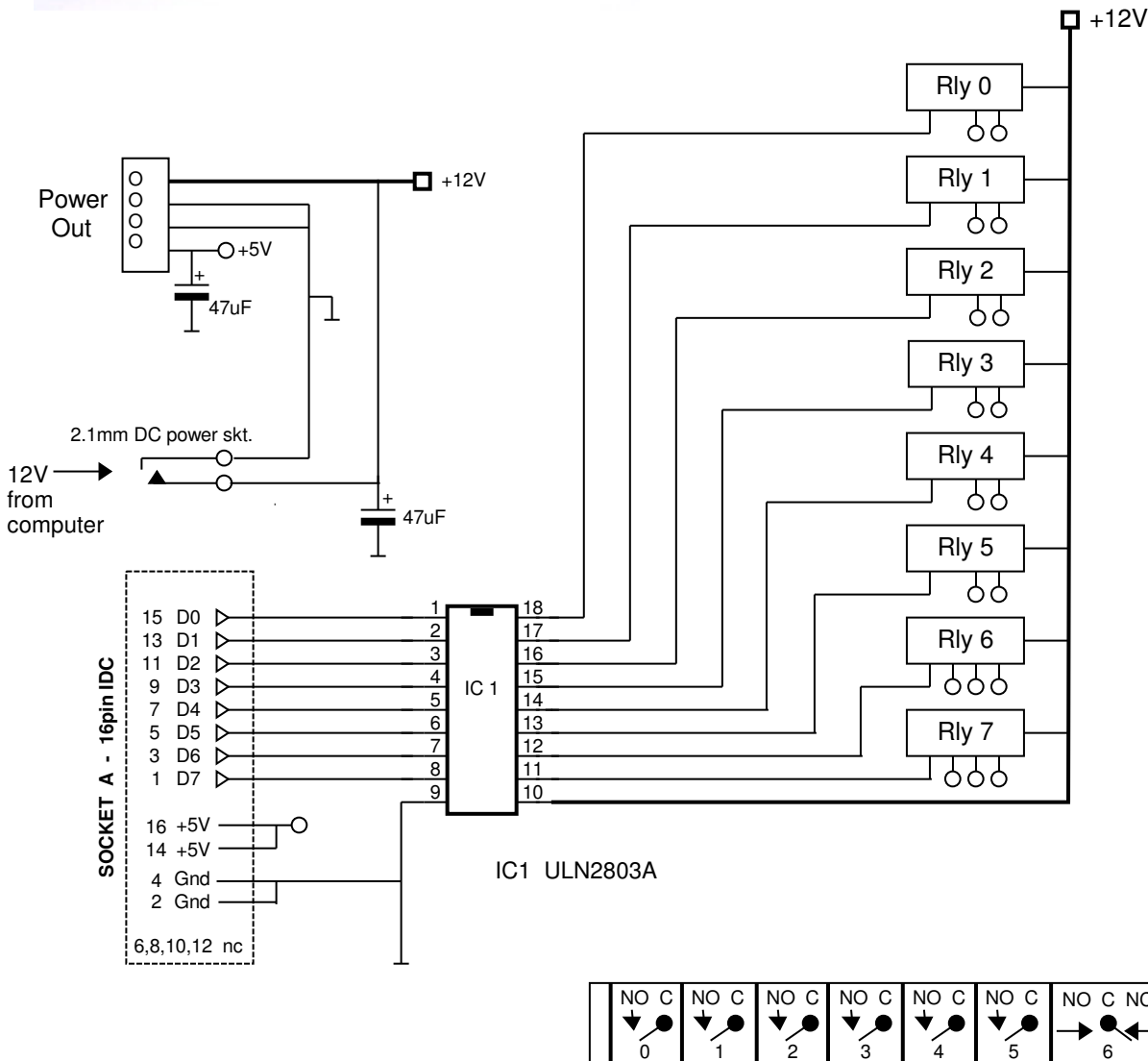
AP Jan 2007



The 8x Relay Module is a self contained unit in a case measuring 110x75x25mm

The relays are 12V 400ohm coil, using 30mA at 12V. They provide 8 isolated outputs with contacts rated at 10A 250V ac.

This unit is designed to be connected with a plug-in lead from Socket A to the Interak Port Module (Output Port).



Label for Relay Outputs (Actual Size)